

SYLVANIA

CHASSIS: 802-5
 MODELS: SC721, SC724 SERIES

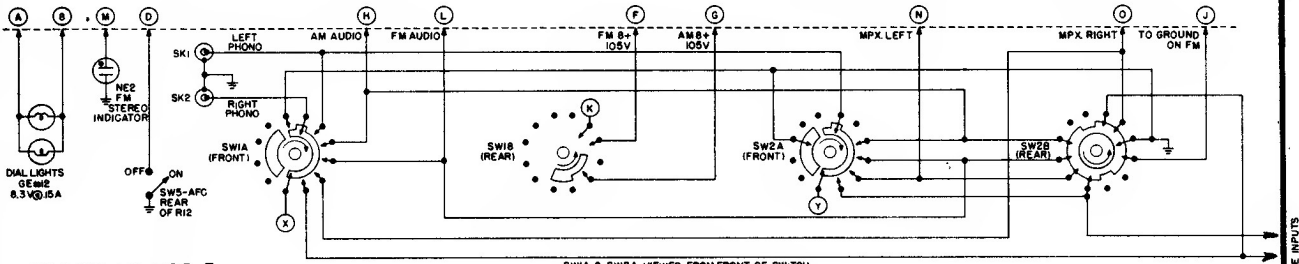
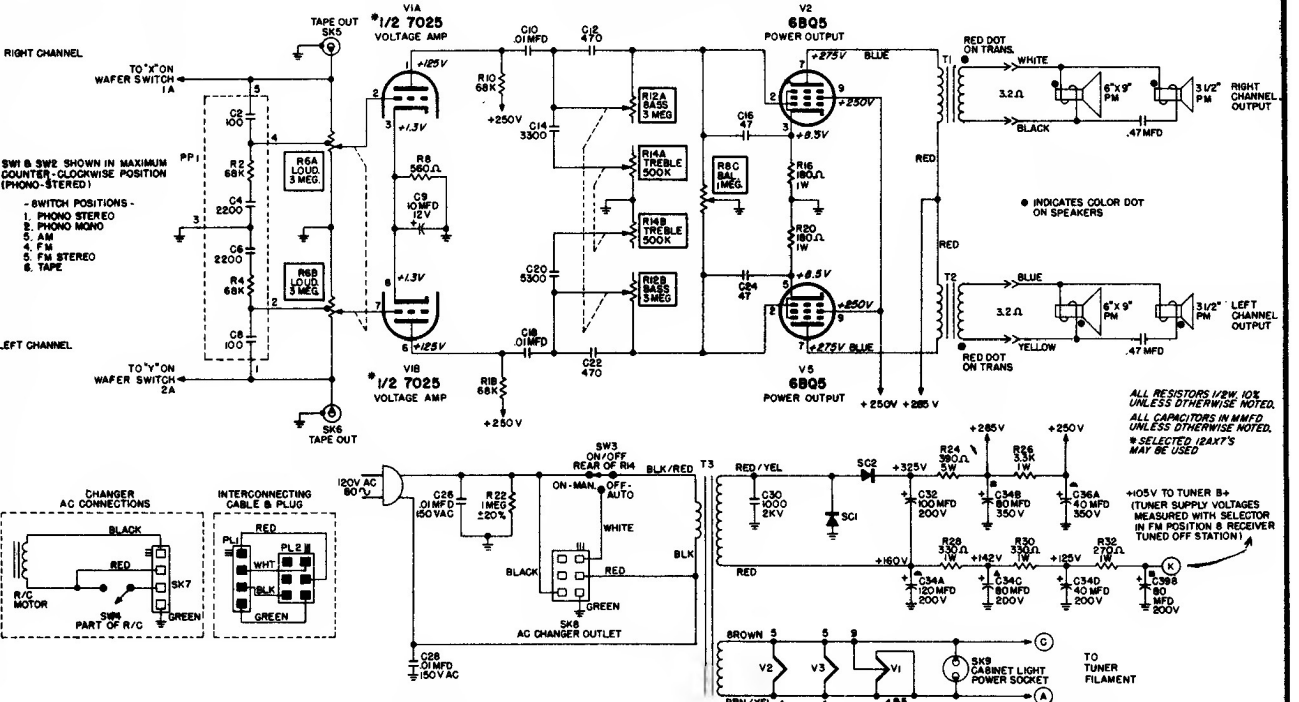
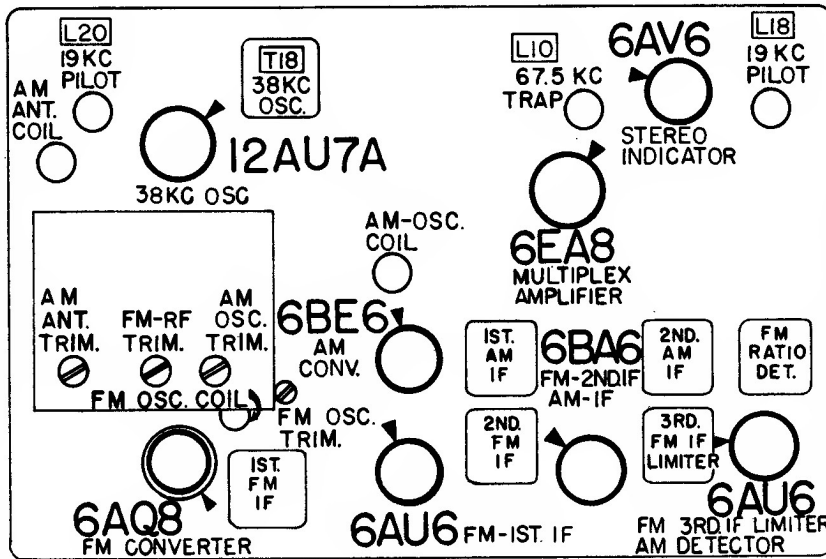


DIAGRAM 802-5



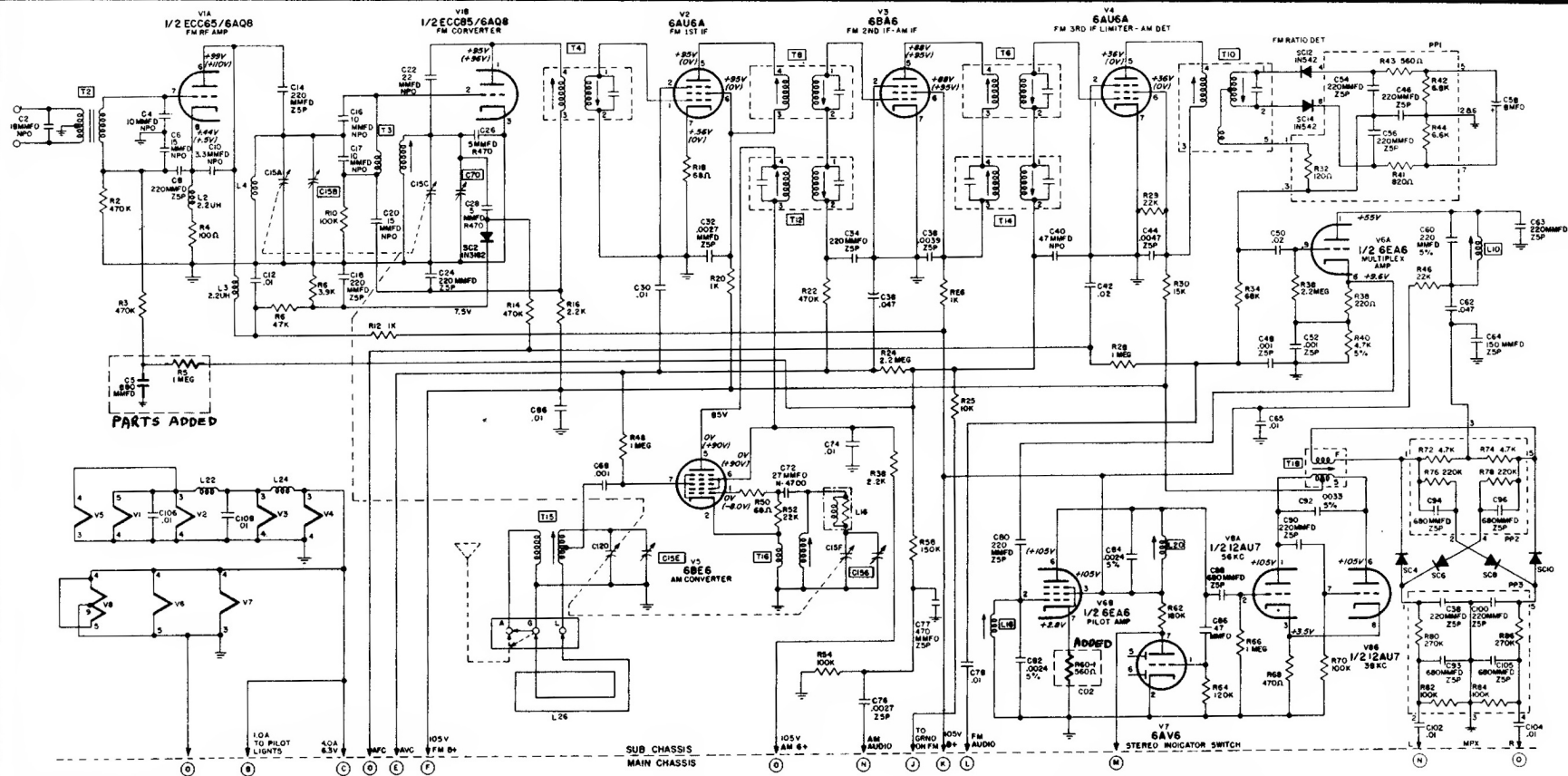
TOP PARTS LAYOUT (371-1)



CHASSIS REMOVAL

1. Disconnect AC power cord from power outlet.
2. Remove screws securing backcover to cabinet; remove backcover.
3. Identify and disconnect the following:
 - A. Speaker leads at output transformer.
 - B. Record changer motor plug on chassis.
 - C. Phono input leads on chassis.
 - D. Antenna lead connections on antenna terminal board.
 - E. Jewel indicating light connector at bottom rear of chassis.
 - F. Remove screw anchoring AC line cord to the inside of the base of the cabinet.
 - G. Remove the two (2) screws securing antenna terminal board to cabinet.
 - H. Remove control knobs on the control panel by pulling straight up.
 - I. Remove seven (7) screws securing chassis to cabinet and remove chassis from cabinet.

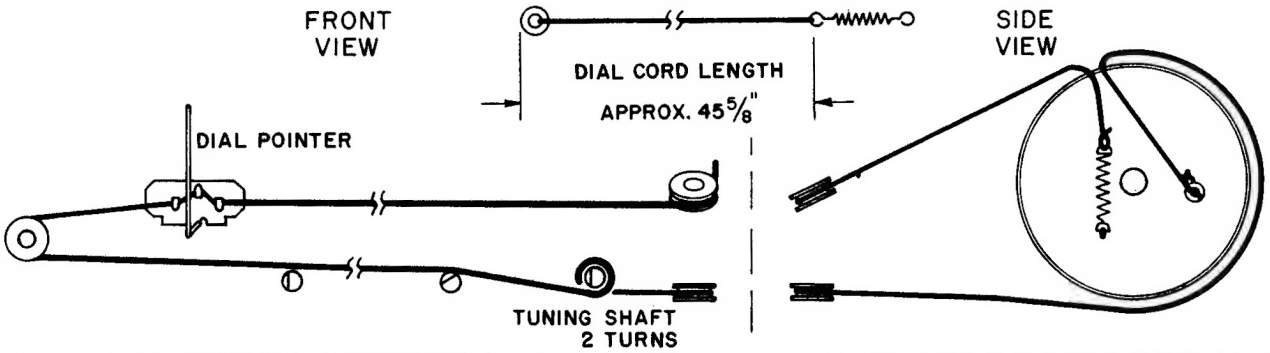
SCHEMATIC DIAGRAM 371-1 (AM/FM TUNER)



AM IF 455 KC.
FM IF 10.7 MC.

+00 IN AM SWITCH POS.
(+00V) IN FM " "

DIAL STRINGING (371-1 CHASSIS)



Tuner 371-1 used in Chassis 802-5, 803-5

SYLVANIA